

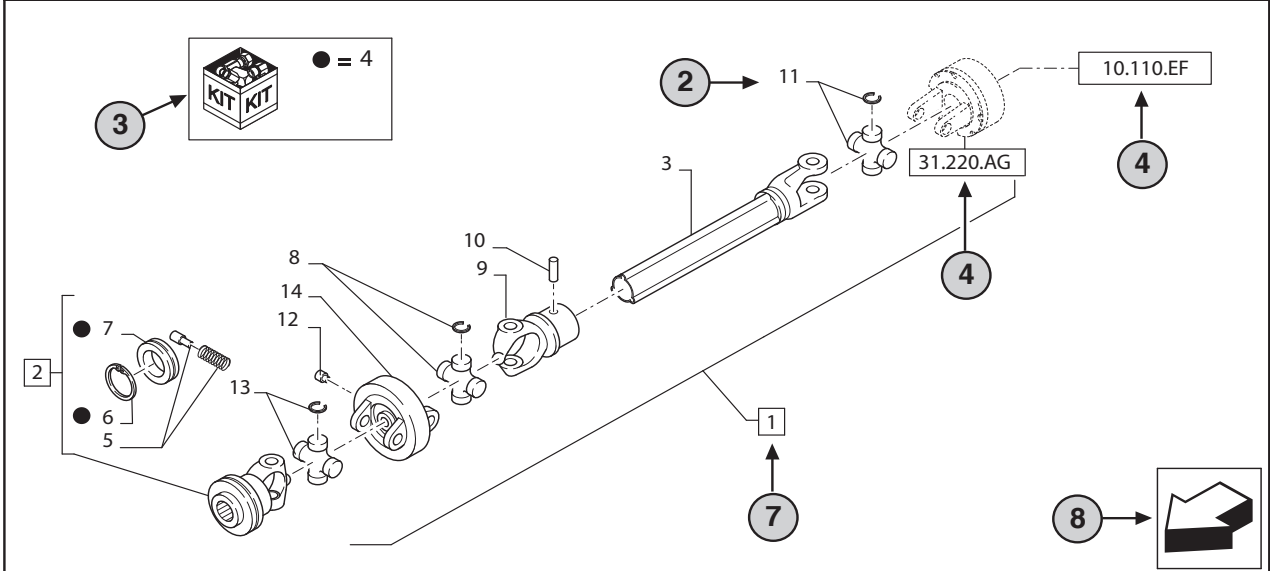
All rights reserved by **CNHi**.

The information contained in this catalogue is intended to be of a general nature only. **CNHi** may at any time and from time to time, for technical or other necessary reasons, modify any of the details or specifications of the product described in this catalogue.

To be sure of getting accurate, detailed and up-to-date information, an intending buyer should consult his nearest **CNHi** dealer or distributor.

Single item numeration method used in this catalogue may not be used without written consent from **CNHi**.

VAR - 123782, 789101,987654 - PTO - D650



STANDARD ← 6

VAR - 123782, 789101,987654 - PTO - D650

11 12 13 14

REF	FN	PART NUMBER	YR/SN	QTY	DESCRIPTION
1	1	86529340	↑ 20	1	SHAFT PTO, Incl 2 - 11
2	15	84014007		1	YOKE, Incl 4 - 7 ← 7
3	16	NSS		1	NOT SERVICED SEPARATELY, SHAFT, 350mm, Incl in 1
4		84004292		1	KIT, Seal Kit, Incl 6, 7 ↑ 17
4		{84058743}		1	KIT, Seal Kit, Incl 6, 7
2	18		↑ 21		
	19		↑ 22		
		1 = FOR ITALY ONLY	← 5		

MODELS ← 1


- 1 Model Number and Model Description
- 2 Reference - Figure call-out of the part number.
- 3 Parts supplied in repair kits per symbol reference.
- 4 31.220.AD Part illustrated on the **Page** or in the **Figure** indicated, or calls for **Variations** or **Details**. Indicates components shown in detail elsewhere in the catalogue under the figure number shown.
- 5 Footnote references
- 6 Figure notes
- 7 1 2 Includes item(s) (See Description within partlist).
- 8 Orientation. (Arrow indicates front of the machine). 
- 9 Figure description.
- 10 General information of the figure.
- 11 Figure title number that aligns with the SRT. Standard Repair Time.
- 12 **Sequence** code within the assembly.
- 13 Page number within the sequence code.
- 14 **Date** of printing or updating of page (month-year).
- 15 **Note** - Relating to the Part Number. There is a key to symbols and abbreviations at the bottom of the text page.
- 16 Non-serviced parts.
- 17 Further description of the part to help confirm identification.
- 18 Not available as service part.
- 19 Part Number.
- 20 To be defined.
- 21 Total **Quantity** of the Part referred to in the page.
The quantity can be replaced by the following indications:
AR = quantity as requested.
- 22 Part **Description**.
- 23 Variant Codes

TABLE OF CONTENTS

0.0039		SERVICE MAINTENANCE KIT
0.0040		OPTIONAL EQUIPMENT
0.0040/01		OPTIONAL EQUIPMENT
0.0040/02		OPTIONAL EQUIPMENT
0.0040/03		OPTIONAL EQUIPMENT
0.0040/04		OPTIONAL EQUIPMENT
0.01.1		INITIAL STOCKING LIST (LIST A)
0.05.4	01	MAINTENANCE PARTS - FILTERS
0.05.4	02	MAINTENANCE PARTS - STARTER MOTOR, ALTERNATOR, BELTS
0.05.4	03	MAINTENANCE PARTS - FUSES
0.05.4	04	MAINTENANCE PARTS - BULBS
0.05.4	04	MAINTENANCE PARTS - BULBS
0.05.4	05	MAINTENANCE PARTS - PUMPS
MAIN		MAIN SECTIONS
SEC. 01		ENGINE
SEC. 02		ENGINE EQUIP.
SEC. 03	01	TRANSMISSION
SEC. 03	02	TRANSMISSION
SEC. 04		FRONT AXLE
SEC. 05		REAR AXLE
SEC. 06		ELECTRICAL
SEC. 07		HYDRAULICS
SEC. 08		SHEET METAL
SEC. 09		LINKAGE
SEC. 10	01	DRIVER'S COMPARTMENT
SEC. 10	02	DRIVER'S COMPARTMENT
SEC. 11	01	TRACTION
SEC. 11	02	TRACTION
SEC. 13		DECALS
SEC. 19		ATTACHMENTS
0.02.0		SEC. 01 - ENGINE
0.02.1		ENGINE
0.02.1/01		ENGINE
0.02.2		HOOKS ENGINE

TABLE OF CONTENTS

0.04.0	CRANKCASE
0.04.0/01	CRANKCASE
0.04.2	ENGINE OIL SUMP
0.04.2/01	ENGINE OIL SUMP
0.04.3	CRANKCASE COVERS
0.04.3/01	CRANKCASE COVERS
0.04.5	BREATHER ENGINE
0.04.5/01	BREATHER ENGINE
0.06.0	CYLINDER HEAD
0.06.0/02	CYLINDER HEAD
0.06.0/03	CYLINDER HEAD
0.06.3	CYLINDER HEAD COVERS
0.06.3/02	CYLINDER HEAD COVERS
0.06.3/03	CYLINDER HEAD COVERS
0.06.6	ROCKER SHAFT
0.06.6/02	ROCKER SHAFT
0.06.6/03	ROCKER SHAFT
0.07.1	INTAKE MANIFOLD
0.07.1/02	INTAKE MANIFOLD
0.07.1/03	INTAKE MANIFOLD
0.07.7	EXHAUST MANIFOLD
0.07.7/02	EXHAUST MANIFOLD
0.07.7/03	EXHAUST MANIFOLD
0.08.0	CRANKSHAFT
0.08.0/01	CRANKSHAFT
0.08.1	CONNECTING ROD
0.08.1/01	CONNECTING ROD
0.08.2	PISTON ENGINE
0.08.2/02	PISTON ENGINE
0.08.2/03	PISTON ENGINE
0.08.3	FLYWHEEL ENGINE
0.08.3/01	(VAR.110-120-300-300/1) TRANSMISSION 12X12 - FLYWHEEL ENGINE
0.08.4	PULLEY CRANKSHAFT
0.08.4/02	PULLEY CRANKSHAFT

TABLE OF CONTENTS

0.08.4/03		PULLEY CRANKSHAFT
0.10.5	01	DYNAMIC BALANCER, GEARS & SHAFTS
0.10.5	02	DYNAMIC BALANCER, GEARS & SHAFTS
0.12.0		CAMSHAFT - TIMING CONTROL
0.12.0/02		CAMSHAFT - TIMING CONTROL
0.12.0/03		CAMSHAFT - TIMING CONTROL
0.14.0	01	INJECTION PUMP
0.14.0	02	INJECTION EQUIPMENT - INJECTOR
0.14.0/ A		INJECTION PUMP - COMPONENTS
0.14.0/02	01	INJECTION PUMP
0.14.0/02	02	INJECTION EQUIPMENT - INJECTOR
0.14.0/03	01	INJECTION PUMP
0.14.0/03	02	INJECTION EQUIPMENT - INJECTOR
0.14.2		INJECTION PUMP DRIVE
0.14.6		INJECTION EQUIPMENT - PIPING
0.14.9		INJECTION EQUIPMENT - PIPING
0.14.9/02		INJECTION EQUIPMENT - PIPING
0.14.9/03		INJECTION EQUIPMENT - PIPING
0.20.0		FUEL FILTER
0.20.0/01		FUEL FILTER
0.20.1		FUEL PUMP
0.20.3		PIPING FUEL
0.20.3/01		PIPING FUEL
0.20.3/02		PIPING FUEL
0.20.4		INJECTION EQUIPMENT - PIPING
0.20.4/01		INJECTION EQUIPMENT - PIPING
0.20.4/02		INJECTION EQUIPMENT - PIPING
0.24.0		TURBOCHARGER
0.24.0/02		TURBOCHARGER
0.24.0/03		TURBOCHARGER
0.27.0		ENGINE OIL DIPSTICK
0.27.0/01		ENGINE OIL DIPSTICK
0.27.2		MOTOR SENSORS
0.30.0		OIL PUMP ENGINE

TABLE OF CONTENTS

0.30.2		OIL FILTERS ENGINE
0.30.5		PIPING ENGINE OIL
0.30.5/01		PIPING ENGINE OIL
0.31.5		HEAT EXCHANGER ENGINE
0.31.5/01		HEAT EXCHANGER ENGINE
0.32.0		WATER PUMP
0.32.3		PIPING ENGINE COOLING SYSTEM
0.32.6	01	THERMOSTAT ENGINE COOLING SYSTEM (DIA. 54 MM.) - C5142
0.32.6	02	THERMOSTAT ENGINE COOLING SYSTEM (DIA. 60 MM.) - D5142
0.32.6/01		THERMOSTAT ENGINE COOLING SYSTEM
0.34.0		WATER PUMP DRIVE
0.34.5		FAN DRIVE
0.35.0		BELT PULLEY DRIVE & COVER
0.36.0		STARTER MOTOR
0.36.0/ A		STARTER MOTOR (BOSCH) - BREAKDOWN
0.40.0		ALTERNATOR
0.41.0		ELECTRONIC INJECTION
0.42.0/01		CONNECTIONS CABLE FOR ENGINE INJECTION
0.43.0		MONITORING ELECTRICAL ACCESSORIES
0.88.0		(VAR.435-437/1-545-608-612) COMPRESSOR, AIR CONDITIONING
0.88.0/ A		COMPRESSOR, AIR CONDITIONING - BREAKDOWN - C5908
0.88.0/ B		COMPRESSOR, AIR CONDITIONING - BREAKDOWN - D5908
1.13.0		SEC. 02 - ENGINE EQUIP.
1.14.0	01	FUEL TANK AND RELATED PARTS - (STD + VAR. 131) - C5533
1.14.0	01A	FUEL TANK AND RELATED PARTS - (STD + VAR. 131) - D5533 - C6240
1.14.0	01B	FUEL TANK AND RELATED PARTS - (STD + VAR. 131) - D6240
1.14.0/01	01	FUEL TANK AND RELATED PARTS - (STD + VAR. 131) - C5533
1.14.0/01	01A	FUEL TANK AND RELATED PARTS - (STD + VAR. 131) - D5533 - C6240
1.14.0/01	01B	FUEL TANK AND RELATED PARTS - (STD + VAR. 131) - D6240
1.14.0/02		(VAR.131) SHIELD FUEL TANK
1.14.0/03	01	(VAR.134-587) SUPERSTEER FRONT AXLE - FUEL TANK AND RELATED PARTS - C5533
1.14.0/03	01A	(VAR.134-587) SUPERSTEER FRONT AXLE - FUEL TANK AND RELATED PARTS - D5533 - C6240
1.14.0/03	01B	(VAR.134-587) SUPERSTEER FRONT AXLE - FUEL TANK AND RELATED PARTS - D6240
1.14.0/03	02	(VAR.134-587) SUPERSTEER FRONT AXLE - FUEL TANK AND RELATED PARTS - C5533

TABLE OF CONTENTS

1.14.0/03	02A	(VAR.134-587) SUPERSTEER FRONT AXLE - FUEL TANK AND RELATED PARTS - D5533 - C6240
1.14.0/03	02B	(VAR.134-587) SUPERSTEER FRONT AXLE - FUEL TANK AND RELATED PARTS - D6240
1.14.0/04	01	(VAR.009) JAPAN VERSION - FUEL TANK AND ASSOCIATED PARTS - C5533
1.14.0/04	01A	(VAR.009) JAPAN VERSION - FUEL TANK AND ASSOCIATED PARTS - D5533 - C6240
1.14.0/04	01B	(VAR.009) JAPAN VERSION - FUEL TANK AND ASSOCIATED PARTS - D6240
1.14.0/05		(VAR.010) 4 REMOTES FOR CCLS PUMP FOR EDC - FUEL TANK AND RELATED PARTS
1.14.6	01	FUEL, LINES - C5330
1.14.6	02	FUEL, LINES - D5330
1.14.7		FUEL TANK SUPPORT
1.15.1	01	SILENCER (MUFFLER)
1.15.1	02	SILENCER (MUFFLER)
1.15.1/01	01	(VAR.154) EXHAUST BRAKE - SILENCER AND ASSOCIATED PARTS
1.15.1/01	02	(VAR.154) EXHAUST BRAKE - SILENCER AND ASSOCIATED PARTS
1.15.1/01	03	(VAR.154) EXHAUST BRAKE - VALVE AND ASSOCIATED PARTS
1.15.1/01	04	(VAR.154) EXHAUST BRAKE - VALVE AND ASSOCIATED PARTS
1.17.0	01	RADIATOR & RELATED PARTS
1.17.0	02	RADIATOR HOSES
1.17.0/87		(VAR.435-437/1-545-608-612) CONDENSER AND DEHYDRATING FILTER FOR AIR CONDITIONING
1.17.2		COOLING - EXPANSION TANK
1.17.5		RADIATOR DUCT AND SEALS
1.19.1	01	DRY AIR FILTER - PIPES
1.19.1	02	DRY AIR FILTER - PIPES
1.19.1/01	01	(VAR.197-198) AIRCLEANER W/PRECLEANER
1.19.1/01	02	(VAR.198) AIRCLEANER W/PRECLEANER
1.19.6		INTERCOOLER AND PIPES
1.19.6/02		INTERCOOLER AND PIPES
1.19.6/03		INTERCOOLER AND PIPES
1.19.9	01	ENGINE GUARD
1.19.9	02	ENGINE GUARD
1.19.9/01		(VAR.435-437/1-608-612) ENGINE GUARD FOR AIR CONDITIONING
1.20.0	01	SEC. 03 - TRANSMISSION
1.20.0	02	SEC. 03 - TRANSMISSION
1.20.1		SERVICE KIT, TRANSMISSION
1.21.0	01	CLUTCH BOX TRANSMISSION & RELATED PARTS

TABLE OF CONTENTS

1.21.0	02	TRANSMISSION BOX AND RELATED PIPES
1.21.0	03	TRANSMISSION BOX AND RELATED PARTS
1.21.0/01	01	(VAR.129-140-147) 16X16 (SPS) GEARBOX - PIPES AND FRONT COVER - C5890
1.21.0/01	01A	(VAR.129-140-147) 16X16 (SPS) GEARBOX - PIPES AND FRONT COVER - D5890
1.21.0/01	02	(VAR.129-140-147) 16X16 (SPS) GEARBOX - REAR COVER
1.21.0/02		(VAR.140-147) 16X16 (50KM/H) (SPS) GEARBOX - GEARBOX PIPES
1.21.0/03	01	(VAR.085-087) 16X16 (SPS) W/P. SHUTTLE & ADV. HARNESS - GEARBOX - PIPES AND FRONT COVER
1.21.0/03	02	(VAR.085-087) 16X16 (SPS) W/P. SHUTTLE & ADV. HARNESS - REAR COVER
1.21.1		2WD SUPPORT FOR FRONT AXLE
1.21.1/01	01	4WD SUPPORT FOR FRONT AXLE - C5379
1.21.1/01	01A	4WD SUPPORT FOR FRONT AXLE - D5379
1.21.1/01	02	4WD - FRONT AXLE SUPPORT FRONT AND REAR SUPPORT
1.21.1/02	01	(VAR.301/1-358/1) 4WD FRONT AXLE WITH SUSPENSIONS AND TERRALOCK - SUPPORT FOR FRONT AXLE
1.21.1/03		(VAR.309/1) 4WD FRONT AXLE WITH SUSPENSIONS AND TERRALOCK, BRAKES - SUPPORT FOR FRONT AXLE
1.21.1/04	01	(VAR.134-587) SUPERSTEER FRONT AXLE - SUPPORT FOR FRONT AXLE
1.21.1/04	02	(VAR.134-587) SUPERSTEER FRONT AXLE - FRONT AND REAR SUPPORT
1.21.2	01	(VAR.301/1-358/1) 4WD FRONT AXLE WITH SUSPENSIONS AND TERRALOCK - VALVE SUSPENSION CONTROL
1.21.2	02	(VAR.301/1) 4WD FRONT AXLE WITH SUSPENSIONS AND TERRALOCK - PIPES
1.21.2/ A	01	(VAR.301/1-309/1-358/1-359/1) VALVE SUSPENSION CONTROL - PARTS - C4863
1.21.2/ A	01A	(VAR.301/1-309/1-358/1-359/1) VALVE SUSPENSION CONTROL - PARTS - D4863
1.21.2/01	01	(VAR.309/1-359/1) 4WD FRONT AXLE WITH SUSPENS. WITH TERRALOCK, BRAKES - SUSPENSION CONTROL VALVE
1.21.2/01	02	(VAR.309/1-359/1) 4WD FRONT AXLE WITH SUSPENS. WITH TERRALOCK, BRAKES - PIPES VALVE AND CYLINDER
1.21.3	01	(VAR.301/1-358/1) 4WD FRONT AXLE WITH SUSPENSIONS AND TERRALOCK - ARM AND SUSPENSION
1.21.3	02	(VAR.301/1-358/1) 4WD FRONT AXLE WITH SUSPENSIONS AND TERRALOCK - CYLINDER AND RELEVANT PARTS
1.21.3	03	(VAR.301/1-358/1) 4WD FRONT AXLE WITH SUSPENSIONS AND TERRALOCK - CYLINDER AND RELEVANT PARTS
1.21.3/01	01	(VAR.309/1) 4WD FRONT AXLE WITH TERRALOCK, BRAKES - SUSPENSION ARM
1.21.3/01	02	(VAR.309/1) 4WD FRONT AXLE WITH SUSPENSIONS AND TERRALOCK, BRAKES - CYLINDER AND RELEVANT PARTS
1.21.3/01	03	(VAR.309/1) 4WD FRONT AXLE WITH SUSPENSIONS AND TERRALOCK, BRAKES - CYLINDER AND RELEVANT PARTS
1.21.5		(VAR.022) SUPPORT WEIGHT FOR SUPERSTEER FRONT AXLE
1.21.5/01		(VAR.023) FRONT WEIGHT CARRIER FOR FAN STYLED WEIGHTS
1.21.5/02		(VAR.034-036-038) SUPPORT AND WEIGHT FOR SUPERSTEER FRONT AXLE
1.21.5/03		(VAR.035-037-039) WEIGHT CARRIER

TABLE OF CONTENTS

1.21.5/04		(VAR.063-065-067) SUPPORT AND WEIGHT FOR SUPERSTEER FRONT AXLE - WITH HOOK
1.21.5/05		(VAR.064-066-068) WEIGHT CARRIER - WITH HOOK
1.21.5/06		(VAR.892) FRONT PULL HOOK WITHOUT WEIGHT CARRIER
1.21.6		(VAR.704-940-942) 2 CONTROL VALVES WITH JOYSTICK FOR LOADER - BRACKETS
1.21.6/01		(VAR.221-713) 2 CONTROL VALVES WITH MECHANICAL JOYSTICK (NAR) - BRACKETS
1.21.6/02		(VAR.221/1-633) 3 CONTROL VALVES WITH MECHANICAL JOYSTICK FOR LOADER (NAR) - BRACKETS
1.21.6/03		(VAR.222) ELECTRONIC JOYSTICK GOVERNING CONTROL VALVES FOR LOADER (NAR) - BRACKETS
1.25.3	01	TRANSMISSION 24X24/16X16 - TORSIONAL DAMPER AND INPUT SHAFT
1.25.3	02	TORSIONAL DAMPER AND INPUT SHAFT
1.25.3/01	01	(VAR.110-120-300-300/1) TRANSMISSION 12X12 - CLUTCH AND INPUT SHAFT
1.27.1		HYDRAULIC CONTROL - FRICTION CLUTCH
1.27.2		HI-LO TRANSMISSION COUPLING
1.27.3		GEARBOX VALVE
1.27.4	01	HI-LO TRANSMISSION ENGAGEMENT CONTROL - C5275
1.27.4	01A	HI-LO TRANSMISSION ENGAGEMENT CONTROL - D5275 - C5276
1.27.4	01B	HI-LO TRANSMISSION ENGAGEMENT CONTROL - D5276
1.27.5		REVERSER MECHANISMS
1.28.1		TRANSMISSION GEARS
1.28.1/01		(VAR.121) TRANSMISSION 24X24 (SHUTTLE 40 KM/H) WITH HI-LO / TRANSMISSION GEARS
1.28.1/02	01	(VAR.110-120-300-300/1) TRANSMISSION 12X12 - TRANSMISSION GEARS
1.28.1/02	02	(VAR.110-120-300-300/1) TRANSMISSION 12X12 - TRANSMISSION GEARS
1.28.1/02	03	(VAR.120-300/1) TRANSMISSION 12X12 (40KM/H) - TRANSMISSION GEARS
1.28.1/03	01	(VAR.129-140-147) 16X16 (SPS) GEARBOX - FRONT COVER
1.28.1/03	02	(VAR.129-140-147) 16X16 (SPS) GEARBOX - CLUTCH MANIFOLD
1.28.1/03	03	(VAR.129-140-147) 16X16 (SPS) GEARBOX - CLUTCH PLATES
1.28.1/03	04	(VAR.129-140-147) 16X16 (SPS) GEARBOX - CLUTCH COVER PLATE AND RELEVANT PARTS
1.28.1/03	05	(VAR.129-140-147) 16X16 (SPS) GEARBOX - SHUTTLE SYNCHRONIZER AND ASSOCIATED PARTS
1.28.1/03	06	(VAR.129-140-147) 16X16 (SPS) GEARBOX - DRIVEN GEARV
1.28.1/03	07	(VAR.129-140-147) 16X16 (SPS) GEARBOX - GEARBOX DRIVEN SHAFT AND CLUTCH PLATES
1.28.1/03	08	(VAR.129-140-147) 16X16 (SPS) GEARBOX - CLUTCH PLATE HOUSING
1.28.1/03	09	(VAR.129-140-147) 16X16 (SPS) GEARBOX - FAST RANGE GEAR
1.28.1/03	10	(VAR.129-140-147) 16X16 (SPS) GEARBOX - SLOW RANGE DRIVING SHAFT AND PTO SHAFT
1.28.1/03	11	(VAR.129-140-147) 16X16 (SPS) GEARBOX - GEARBOX DRIVEN SHAFT AND IDLE GEAR

TABLE OF CONTENTS

1.28.1/04		(VAR.084) 24X24 (HI-LO) 40 KM/H W/P. SHUTTLE & ADV. HARNESS - TRANSMISSION GEARS
1.28.1/05	01	(VAR.085-087) 16X16 (SPS) W/P. SHUTTLE & ADV. HARNESS - FRONT COVER
1.28.1/05	02	(VAR.085-087) 16X16 (SPS) W/P. SHUTTLE & ADV. HARNESS - CLUTCH MANIFOLD
1.28.1/05	03	(VAR.085-087) 16X16 (SPS) W/P. SHUTTLE & ADV. HARNESS - CLUTCH PLATES
1.28.1/05	04	(VAR.085-087) 16X16 (SPS) W/P. SHUTTLE & ADV. HARNESS - CLUTCH COVER PLATE AND RELEVANT PARTS
1.28.1/05	05	(VAR.085-087) 16X16 (SPS) W/P. SHUTTLE & ADV. HARNESS - SHUTTLE SYNCH AND ASSOCIATED PARTS
1.28.1/05	06	(VAR.085-087) 16X16 (SPS) W/P. SHUTTLE & ADV. HARNESS - DRIVEN GEAR
1.28.1/05	07	(VAR.085-087) 16X16 (SPS) W/P. SHUTTLE & ADV. HARNESS - GEARBOX DRIVEN SHAFT AND CLUTCH PLATES
1.28.1/05	08	(VAR.085-087) 16X16 (SPS) W/P. SHUTTLE & ADV. HARNESS - CLUTCH PLATE HOUSING
1.28.1/05	09	(VAR.085-087) 16X16 (SPS) W/P. SHUTTLE & ADV. HARNESS - FAST RANGE GEAR
1.28.1/05	10	(VAR.085-087) 16X16 (SPS) W/P. SHUTTLE & ADV. HARNESS - SLOW RANGE DRIVING SHAFT AND PTO SHAFT
1.28.1/05	11	(VAR.085-087) 16X16 (SPS) W/P. SHUTTLE & ADV. HARNESS - GEARBOX DRIVEN SHAFT AND IDLE GEAR
1.29.0	01	INTERNAL SHIFTING CONTROLS
1.29.0	02	INTERNAL SHIFTING CONTROLS
1.29.0/01	01	(VAR.110-120-300-300/1) TRANSMISSION 12X12 - INTERNAL SHIFTING CONTROLS
1.29.0/01	02	(VAR.110-120-300-300/1) TRANSMISSION 12X12 - INTERNAL SHIFTING CONTROLS
1.29.0/02		(VAR.129-140-147) TRANSMISSION 16X16 (SPS) - INTERNAL SHIFTING CONTROLS
1.29.0/03		(VAR.085-087) 16X16 (SPS) W/P. SHUTTLE & ADV. HARNESS - INTERNAL SHIFTING CONTROLS
1.29.6	01	GEARBOX CONTROL PIPES
1.29.6	02	GEARBOX CONTROL PIPES
1.29.6/01		(VAR.269/1) CCLS FOR TRANSMISSION 24X24 (EDC) - GEARBOX CONTROL PIPES
1.29.6/02		(VAR.831) CCLS WITH 2 MECHANICAL CONTROL VALVE - GEARBOX CONTROL PIPES
1.29.7	01	TRANSMISSION OIL COOLER AND PIPES
1.29.7	02	TRANSMISSION OIL COOLER AND PIPES
1.29.7	03	GEARBOX LUBRICATION PIPING
1.29.7	04	GEARBOX LUBRICATION PIPING
1.29.7/01		(VAR.140-147) TRANSMISSION 16X16 (50 KM/H) (SPS) - GEARBOX LUBRICATION PIPING
1.29.7/02		(VAR.269/1) CCLS FOR TRANSMISSION 24X24 (EDC) - GEARBOX LUBRICATION PIPING
1.29.7/03	01	(VAR.350) CCLS FOR TRANSMISSION 16X16 - GEARBOX LUBRICATION PIPING
1.29.7/03	02	(VAR.350) CCLS FOR TRANSMISSION 16X16 - GEARBOX LUBRICATION PIPING
1.29.7/04		(VAR.831) CCLS WITH 2 MECHANICAL CONTROL VALVE - GEARBOX LUBRICATION PIPING
1.29.7/05	01	(VAR.831/1) CCLS WITH 2 MECHANICAL CONTROL VALVE - GEARBOX LUBRICATION PIPING
1.29.7/05	02	(VAR.831/1) CCLS WITH 2 MECHANICAL CONTROL VALVE - GEARBOX LUBRICATION PIPING

TABLE OF CONTENTS

1.29.9	01	SERVO-CONTROL - GEARBOX CLUTCH HOUSING COVER
1.29.9	02	SERVO-CONTROL - GEARBOX CLUTCH HOUSING COVER
1.29.9/01		(VAR.110-120-300-300/1) TRANSMISSION 12X12 - GEARBOX CLUTCH HOUSING COVER
1.29.9/02	01	(VAR.129-140-147) TRANSMISSION 16X16 (SPS) - GEARBOX CLUTCH HOUSING COVER
1.29.9/02	02	(VAR.129-140-147) TRANSMISSION 16X16 (SPS) - GEARBOX CLUTCH HOUSING COVER
1.29.9/02	03	(VAR.129-140-147) TRANSMISSION 16X16 (SPS) - GEARBOX CLUTCH HOUSING COVER
1.29.9/03	01	(VAR.085-087) 16X16 (SPS) W/P. SHUTTLE & ADV. HARNESS - GEARBOX CLUTCH HOUSING COVER
1.29.9/03	02	(VAR.085-087) 16X16 (SPS) W/P. SHUTTLE & ADV. HARNESS - GEARBOX CLUTCH HOUSING COVER
1.29.9/03	03	(VAR.085-087) 16X16 (SPS) W/P. SHUTTLE & ADV. HARNESS - GEARBOX CLUTCH HOUSING COVER
1.32.0		TRANSMISSION, COVERS AND SUPPORTS
1.32.0/01		(VAR.160) DIFFERENTIAL LOCK FOR STRENGTHENED WHEEL AXLE - BOXES, COVERS AND SUPPORTS
1.32.0/02		(VAR.163) DIFFERENTIAL LOCK FOR NON-STRENGTHENED WHEEL AXLE - TRANSMISSION, COVERS AND SUPPORTS
1.32.1	01	CENTRAL REDUCTION GEARS
1.32.1	02	CENTRAL REDUCTION GEARS
1.32.1	03	TRANSMISSION 12X12 (30 KM/H) CENTRAL REDUCTION GEARS
1.32.1/01		(VAR.121) TRANSMISSION 24X24 (SHUTTLE 40 KM/H) WITH HI-LO / CENTRAL REDUCTION GEARS
1.32.1/02		(VAR.120) TRANSMISSION 12X12 (40 KM/H) CENTRAL REDUCTION GEARS
1.32.1/03	01	(VAR.129-140-147) 16X16 (SPS) GEARBOX - GEARBOX FORK AND ASSOCIATED PARTS
1.32.1/03	02	(VAR.129-140-147) 16X16 (SPS) GEARBOX - GEARBOX FORK AND ASSOCIATED PARTS
1.32.1/04		(VAR. 084) 24X24 (HI-LO) 40 KM/H W/P. SHUTTLE & ADV. HARNESS - CENTRAL REDUCTION GEARS
1.32.1/05	01	(VAR.085-087) 16X16 (SPS) W/P. SHUTTLE & ADV. HARNESS - GEARBOX FORK AND ASSOCIATED PARTS
1.32.1/05	02	(VAR.085-087) 16X16 (SPS) W/P. SHUTTLE & ADV. HARNESS - GEARBOX FORK AND ASSOCIATED PARTS
1.32.2	01	CENTRAL REDUCTION GEAR CONTROLS - ROD AND FORK COVER
1.32.2	02	CENTRAL REDUCTION GEAR CONTROLS - SHAFT, LEVER AND TIE-ROD
1.32.2/01		(VAR.110-120-300-300/1) TRANSMISSION 12X12 - CENTRAL REDUCTION GEAR CONTROLS
1.32.3	01	(VAR.100 -112) CREEPER TRANSMISSION FOR TRANSMISSION 24X24 - CONTROL REDUCTION
1.32.3	02	(VAR.100 -112) CREEPER TRANSMISSION FOR TRANSMISSION 24X24 - CONTROL REDUCTION
1.32.3/01	01	(VAR.100/1) CREEPER TRANSMISSION FOR TRANSMISSION 12X12 - CONTROL REDUCTION
1.32.3/01	02	(VAR.100/1) CREEPER TRANSMISSION FOR TRANSMISSION 12X12 - CONTROL REDUCTION
1.32.3/02	01	(VAR.100/2) CREEPER TRANSMISSION FOR TRANSMISSION 16X16 - CONTROL REDUCTION
1.32.3/02	02	(VAR.100/2) CREEPER TRANSMISSION FOR TRANSMISSION 16X16 - CONTROL REDUCTION
1.32.4	01	DIFFERENTIAL GEARS
1.32.4	02	DIFFERENTIAL GEARS

TABLE OF CONTENTS

1.32.4/01		(VAR.160) DIFFERENTIAL LOCK FOR STRENGTHENED WHEEL AXLE - DIFFERENTIAL GEARS
1.32.4/02		(VAR.163) DIFFERENTIAL LOCK FOR NON-STRENGTHENED WHEEL AXLE - DIFFERENTIAL GEARS
1.32.4/03		(VAR.161) STRENGTHENED WHEEL AXLE WITH TOOTH ENGAGEMENT - DIFFERENTIAL GEARS
1.32.4/04		(VAR.437) 98" LONG AXLE FOR STEEL DISK - DIFFERENTIAL GEARS
1.32.5		(VAR.140-147) TRANSMISSION 16X16 (50 KM/H) (SPS) - CLUTCH COVER PLATE AND RELEVANT PARTS
1.32.6		DIFFERENTIAL LOCK
1.32.6/01		(VAR.160) DIFFERENTIAL LOCK FOR STRENGTHENED WHEEL AXLE - DIFFERENTIAL LOCK
1.32.6/02		(VAR.163) DIFFERENTIAL LOCK FOR NON-STRENGTHENED WHEEL AXLE - DIFFERENTIAL LOCK
1.32.6/03		(VAR.161) STRENGTHENED WHEEL AXLE WITH TOOTH ENGAGEMENT - DIFFERENTIAL LOCKS
1.32.6/04		(VAR.437) 98" LONG AXLE FOR STEEL DISK - DIFFERENTIAL LOCKS
1.32.8	01	PUMPS FOR HYDRAULIC SYSTEM AND LIFT
1.32.8	02	PUMPS FOR HYDRAULIC SYSTEM AND LIFT
1.32.8	03	4WD DIFFERENTIAL LOCKS PIPES
1.32.8/01	01	PUMPS FOR HYDRAULIC SYSTEM AND LIFT
1.32.8/01	02	PUMPS FOR HYDRAULIC SYSTEM AND LIFT
1.32.8/01	03	PUMPS FOR HYDRAULIC SYSTEM AND LIFT
1.32.8/01	04	4WD DIFFERENTIAL LOCKS PIPES
1.32.8/01A		HYDRAULIK PUMP - BREAKDOWN
1.32.8/01B		HYDRAULIK PUMP - BREAKDOWN
1.32.8/02	01	(VAR.269/1) CCLS FOR TRANSMISSION 24X24 (EDC) - PUMPS FOR HYDRAULIC SYSTEM AND LIFT
1.32.8/02	02	(VAR.269/1) CCLS FOR TRANSMISSION 24X24 (EDC) - PUMPS FOR HYDRAULIC SYSTEM AND LIFT
1.32.8/02	03	(VAR.269/1) CCLS FOR TRANSMISSION 24X24 (EDC) - PUMPS FOR HYDRAULIC SYSTEM AND LIFT
1.32.8/03	01	(VAR.350) CCLS FOR TRANSMISSION 16X16 - PUMPS FOR HYDRAULIC SYSTEM AND LIFT
1.32.8/03	02	(VAR.350) CCLS FOR TRANSMISSION 16X16 - PUMPS FOR HYDRAULIC SYSTEM AND LIFT
1.32.8/03	03	(VAR.350) CCLS FOR TRANSMISSION 16X16 - PUMPS FOR HYDRAULIC SYSTEM AND LIFT
1.32.8/04	01	(VAR.831-831/1) CCLS WITH 2 MECHANICAL CONTROL VALVE - PUMPS FOR HYDRAULIC SYSTEM AND LIFT
1.32.8/04	02	(VAR.831-831/1) CCLS WITH 2 MECHANICAL CONTROL VALVE - PUMPS FOR HYDRAULIC SYSTEM AND LIFT
1.32.8/04	03	(VAR.831-831/1) CCLS WITH 2 MECHANICAL CONTROL VALVE - PUMPS FOR HYDRAULIC SYSTEM AND LIFT
1.32.9	01	HYDRAULIC PUMP CONTROL
1.32.9	02	HYDRAULIC PUMP CONTROL
1.33.0		SEC. 04 - FRONT AXLE
1.33.3	01	4WD DRIVING GEAR - SPLINED BUSHING AND RELATED PARTS
1.33.3	02	4WD DRIVING GEAR - DRIVE SHAFT AND GUARD

TABLE OF CONTENTS

1.33.3	03	4WD DRIVING GEAR - COUPLING SLEEVE AND HUB
1.33.3/01	01	(VAR.160) 4WD DIFFERENTIAL LOCK FOR STRENGTHENED WHEEL AXLE - DRIVING GEAR
1.33.3/01	02	(VAR.160) 4WD DIFFERENTIAL LOCK FOR STRENGTHENED WHEEL AXLE - TRANSMISSION GEARING
1.33.3/02	01	(VAR.163) 4WD DIFFERENTIAL LOCK FOR NON-STRENGTHENED WHEEL AXLE - TRANSMISSION GEARING
1.33.3/02	02	(VAR.163) 4WD DIFFERENTIAL LOCK FOR NON-STRENGTHENED WHEEL AXLE - TRANSMISSION GEARING
1.33.3/03		(VAR.161) 4WD STRENGTHENED WHEEL AXLE WITH TOOTH ENGAGEMENT - DRIVING GEAR
1.33.3/04		(VAR.437) 4WD - 98" LONG AXLE FOR STEEL DISK - TRANSMISSION GEARINGS
1.38.5		4WD PROPELLER SHAFT
1.38.5/01		(VAR.301/1-358/1) 4WD FRONT AXLE WITH SUSPENSIONS AND TERRALOCK - PROPELLER SHAFT
1.38.5/02		(VAR.309/1-359/1) 4WD FRONT AXLE WITH SUSPENSIONS AND TERRALOCK , BRAKES - PROPELLER SHAFT
1.38.5/03		(VAR.134-587) SUPERSTEER FRONT AXLE - TRANSMISSION SHAFT AND SUPPORT
1.38.8		(VAR.449) RICE VERSION - SLEEVE, SCHIELD & FLANGE - PROPELLER SHAFT
1.40.0/01	01	4WD FRONT AXLE - BOX
1.40.0/01	02	4WD FRONT AXLE - BOX
1.40.0/02		4WD FRONT AXLE - STEERING AXLES - HUBS
1.40.0/04		4WD FRONT AXLE - LINK
1.40.0/05		4WD FRONT AXLE - SUPPORT
1.40.0/06	01	4WD FRONT AXLE - BEVEL GEAR PAIR
1.40.0/06	02	4WD FRONT AXLE - BEVEL GEAR PAIR
1.40.0/07		4WD FRONT AXLE - DIFFERENTIAL LOCKING
1.40.0/08		4WD FRONT AXLE - DIFFERENTIAL LOCK
1.40.0/10	01	4WD FRONT AXLE - DIFFERENTIAL GEARS AND DIFFERENTIAL SHAFT
1.40.0/10	02	4WD FRONT AXLE - DIFFERENTIAL GEARS AND DIFFERENTIAL SHAFT (VAR.357-358)
1.40.0/10A		4WD FRONT AXLE - AXLE-SHAFT ARTICULATED - BREAKDOWN
1.40.0/10B		(VAR. 357-358) 4WD FRONT AXLE - AXLE-SHAFT ARTICULATED BREAKDOWN
1.40.0/12	01	4WD FRONT AXLE - HYDRAULIC CYLINDER
1.40.0/12	02	4WD FRONT AXLE - HYDRAULIC STEERING CYLINDER - PIPES
1.40.0/12	03	4WD FRONT AXLE - HYDRAULIC STEERING CYLINDER - PIPES
1.40.0/12A		4WD FRONT AXLE - HYDRAULIC STEERING CYLINDER BREAKDOWN
1.40.1/01	01	(VAR.301-358) 4WD FRONT AXLE WITH TERRALOCK - BOX
1.40.1/01	02	(VAR.301) 4WD FRONT AXLE WITH TERRALOCK - BOX
1.40.1/02	01	(VAR.301-358) 4WD FRONT AXLE WITH TERRALOCK - STEERING KNUCKLES - C5196
1.40.1/02	01A	(VAR.301-358) 4WD FRONT AXLE WITH TERRALOCK - STEERING KNUCKLES - D5196

TABLE OF CONTENTS

1.40.2/01	01	(VAR.301/1) 4WD FRONT AXLE WITH SUSPENSIONS AND TERRALOCK - BOX
1.40.2/01	02	(VAR.358/1) 4WD FRONT AXLE WITH SUSPENSIONS AND TERRALOCK - BOX
1.40.2/02	01	(VAR.301/1-358/1) 4WD FRONT AXLE WITH SUSPENSIONS AND TERRALOCK - STEERING AXLES - HUBS - C5196
1.40.2/02	01A	(VAR.301/1-358/1) 4WD FRONT AXLE WITH SUSPENSIONS AND TERRALOCK - STEERING AXLES - HUBS - D5196
1.40.2/04		(VAR.301/1-358/1) 4WD FRONT AXLE WITH SUSPENSIONS AND TERRALOCK - LINK
1.40.2/05		(VAR.301/1-358/1) 4WD FRONT AXLE WITH SUSPENSIONS AND TERRALOCK - SUPPORT
1.40.2/06	01	(VAR.301/1-358/1) 4WD FRONT AXLE WITH SUSPENSIONS AND TERRALOCK - BEVEL GEAR PAIR
1.40.2/06	02	(VAR.301/1-358/1) 4WD FRONT AXLE WITH SUSPENSIONS AND TERRALOCK - BEVEL GEAR PAIR
1.40.2/08		(VAR.301/1-358/1) 4WD FRONT AXLE WITH SUSPENSIONS AND TERRALOCK - DIFFERENTIAL LOCK
1.40.2/10	01	(VAR.301/1) 4WD FRONT AXLE WITH SUSPENSIONS AND TERRALOCK - DIFFER. GEARS AND DIFFERENTIAL SHAFT
1.40.2/10	02	(VAR.358/1) 4WD FRONT AXLE WITH SUSPENSIONS AND TERRALOCK - DIFFER. GEARS AND DIFFERENTIAL SHAFT
1.40.2/10A		(VAR.301/1) 4WD FRONT AXLE WITH SUSPENSIONS AND TERRALOCK - AXLE-SHAFT ARTICULATED - BREAKDOWN
1.40.2/10B		(VAR.358/1) 4WD FRONT AXLE WITH SUSPENSIONS AND TERRALOCK - AXLE-SHAFT ARTICULATED - BREAKDOWN
1.40.2/12		(VAR.301/1-358/1) 4WD FRONT AXLE WITH SUSPENSIONS AND TERRALOCK - HYDRAULIC STEERING CYLINDER
1.40.3/01	01	(VAR.309) 4WD FRONT AXLE WITH BRAKES AND TERRALOCK - BOX
1.40.3/01	02	(VAR.309-359) 4WD FRONT AXLE WITH BRAKES AND TERRALOCK - BOX
1.40.3/02	01	(VAR.309-359) 4WD FRONT AXLE WITH BRAKES WITH TERRALOCK - STEERING PIVOT PINS AND HUBS - C5196
1.40.3/02	01A	(VAR.309-359) 4WD FRONT AXLE WITH BRAKES WITH TERRALOCK - STEERING PIVOT PINS AND HUBS - D5196
1.40.3/10	01	(VAR.309) 4WD FRONT AXLE WITH BRAKES AND TERRALOCK - GEARS AND DIFFERENTIAL SHAFT - C5025
1.40.3/10	01A	(VAR.309) 4WD FRONT AXLE WITH BRAKES AND TERRALOCK - GEARS AND DIFFERENTIAL SHAFT - D5025
1.40.3/10	02	(VAR.359) 4WD FRONT AXLE WITH BRAKES WITH TERRALOCK - GEARS AND DIFFERENTIAL AXLE
1.40.3/10A		(VAR.309) 4WD FRONT AXLE WITH BRAKES AND TERRALOCK - BREAKDOWN
1.40.3/10B		(VAR.-359) 4WD FRONT AXLE WITH BRAKES WITH TERRALOCK - ARTICULATED HALF-AXLE AND RELEVANT PARTS
1.40.3/14	01	(VAR.309-359) 4WD FRONT AXLE WITH BRAKES WITH TERRALOCK - BRAKES
1.40.3/14	02	(VAR.309) 4WD FRONT AXLE WITH BRAKES WITH TERRALOCK - BRAKES
1.40.3/14	03	(VAR.359) 4WD FRONT AXLE WITH BRAKES WITH TERRALOCK - BRAKES
1.40.3/14	04	(VAR.309-359) 4WD FRONT AXLE WITH BRAKES WITH TERRALOCK - BRAKES
1.40.4/01	01	(VAR.309/1) 4WD FRONT AXLE WITH SUSPENSIONS AND TERRALOCK , BRAKES - BOX
1.40.4/01	02	(VAR.359/1) 4WD FRONT AXLE WITH SUSPENSIONS AND TERRALOCK , BRAKES - BOX
1.40.4/02	01	(VAR.309/1-359/1) 4WD FRONT AXLE WITH BRAKES WITH TERRALOCK - STEERING PIVOT PINS AND HUBS - C5196
1.40.4/02	01A	(VAR.309/1-359/1) 4WD FRONT AXLE WITH BRAKES WITH TERRALOCK - STEERING PIVOT PINS AND HUBS - D5196

TABLE OF CONTENTS

1.40.4/04		(VAR.309/1-359/1) 4WD FRONT AXLE WITH SUSPENSIONS AND TERRALOCK , BRAKES - LINK
1.40.4/05		(VAR.309/1-359/1) 4WD FRONT AXLE WITH SUSPENSIONS AND TERRALOCK , BRAKES - SUPPORT
1.40.4/06	01	(VAR.309/1-359/1) 4WD FRONT AXLE WITH SUSPENSIONS AND TERRALOCK, BRAKES - BEVEL GEAR PAIR
1.40.4/06	02	(VAR.309/1-359/1) 4WD FRONT AXLE WITH SUSPENSIONS AND TERRALOCK , BRAKES - BEVEL GEAR PAIR
1.40.4/08		(VAR.309/1-359/1) 4WD FRONT AXLE WITH SUSPENSIONS AND TERRALOCK, BRAKES - DIFFERENTIAL LOCK
1.40.4/10	01	(VAR.309/1) 4WD FRONT AXLE WITH SUSPENSIONS AND TERRALOCK , BRAKES - GEARS AND DIFFER. SHAFT-C5025
1.40.4/10	01A	(VAR.309/1) 4WD FRONT AXLE WITH SUSPENSIONS AND TERRALOCK , BRAKES - GEARS AND DIFFER. SHAFT-D5025
1.40.4/10	02	(VAR.359/1) 4WD FRONT AXLE WITH SUSPENSIONS AND TERRALOCK , BRAKES - GEARS AND DIFFERENTIAL SHAFT
1.40.4/10A		(VAR.309/1) 4WD FRONT AXLE WITH SUSP. AND TERRALOCK, BRAKES - AXLE-SHAFT ARTICULATED - BREAKDOWN
1.40.4/10B		(VAR.359/1) 4WD FRONT AXLE WITH SUSP. AND TERRALOCK , BRAKES - AXLE-SHAFT ARTICULATED - BREAKDOWN
1.40.4/12		(VAR.309/1-359/1) 4WD FRONT AXLE WITH SUSP. AND TERRALOCK, BRAKES - HYDRAULIC STEERING CYLINDER
1.40.4/14	01	(VAR.309/1-359/1) 4WD FRONT AXLE WITH SUSPENSIONS WITH TERRALOCK - BRAKES
1.40.4/14	02	(VAR.309/1-359/1) 4WD FRONT AXLE WITH SUSPENSIONS WITH TERRALOCK - BRAKES
1.40.4/14	03	(VAR.309/1-359/1) 4WD FRONT AXLE WITH SUSPENSIONS WITH TERRALOCK - BRAKES
1.40.4/15		(VAR.592-623-639-652) FRONT HPL AND PTO W/SHAFT (6 SPLINES) W/FRONT BRAKES - BRAKES
1.40.5/01		(VAR.134-587) SUPERSTEER FRONT AXLE - BOX
1.40.5/02	01	(VAR.134-587) SUPERSTEER FRONT AXLE - STEERING AXLES - HUBS - C5196
1.40.5/02	01A	(VAR.134-587) SUPERSTEER FRONT AXLE - STEERING AXLES - HUBS - D5196
1.40.5/04	01	(VAR.134-587) SUPERSTEER FRONT AXLE - LINK
1.40.5/04	02	(VAR.134-587) SUPERSTEER FRONT AXLE - LINK
1.40.5/05	01	(VAR.134-587) SUPERSTEER FRONT AXLE - SUPPORT
1.40.5/05	02	(VAR.134-587) SUPERSTEER FRONT AXLE - SUPPORT
1.40.5/05	03	(VAR.134-587) SUPERSTEER FRONT AXLE - SUPPORT
1.40.5/06	01	(VAR.134-587) SUPERSTEER FRONT AXLE - BEVEL GEAR PAIR
1.40.5/06	02	(VAR.134-587) SUPERSTEER FRONT AXLE - BEVEL GEAR PAIR
1.40.5/07	01	(VAR.134-587) SUPERSTEER FRONT AXLE - DIFFERENTIAL
1.40.5/07	02	(VAR.134-587) SUPERSTEER FRONT AXLE - DIFFERENTIAL
1.40.5/10	01	(VAR.134-587) SUPERSTEER FRONT AXLE - DIFFERENTIAL GEARS AND DIFFERENTIAL SHAFT
1.40.5/10	02	(VAR.134-587) SUPERSTEER FRONT AXLE - DIFFERENTIAL GEARS AND DIFFERENTIAL SHAFT
1.40.5/10A		(VAR.134-587) SUPERSTEER FRONT AXLE - AXLE-SHAFT ARTICULATED
1.40.5/12		(VAR.134-587) SUPERSTEER FRONT AXLE - HYDRAULIC STEERING CYLINDER
1.40.5/12A		(VAR.134-587) SUPERSTEER FRONT AXLE - HYDRAULIC STEERING CYLINDER - BREAKDOWN

TABLE OF CONTENTS

1.41.0	01	2WD FRONT AXLE - BODY
1.41.0	02	2WD FRONT AXLE - TIE-ROD
1.41.0	03	2WD FRONT AXLE - HYDRAULIC STEERING CYLINDER -C4824
1.41.0	03A	2WD FRONT AXLE - HYDRAULIC STEERING CYLINDER -D4824
1.41.0	04	2WD FRONT AXLE - HUB
1.41.0/01	01	2WD FRONT AXLE - BODY
1.41.0/01	02	2WD FRONT AXLE - TIE-ROD
1.41.0/01	03	2WD FRONT AXLE - HYDRAULIC STEERING CYLINDER -C4824
1.41.0/01	03A	2WD FRONT AXLE - HYDRAULIC STEERING CYLINDER -D4824
1.41.0/01	04	2WD FRONT AXLE - HUB
1.41.0/02	01	(VAR.102) 2WD FRONT AXLE - TOBACCO OUTFIT - TIE ROD
1.41.0/02	02	(VAR.102) 2WD FRONT AXLE - TOBACCO OUTFIT - BODY
1.41.0/02	03	(VAR.102) 2WD FRONT AXLE - TOBACCO OUTFIT - HYDRAULIC STEERING CYLINDER -C4824
1.41.0/02	03A	(VAR.102) 2WD FRONT AXLE - TOBACCO OUTFIT - HYDRAULIC STEERING CYLINDER -D4824
1.41.0/02	04	(VAR.102) 2WD FRONT AXLE - TOBACCO OUTFIT - HUB
1.41.0/03	01	(VAR.417) 2WD HEAVY DUTY FRONT AXLE - TIE ROD
1.41.0/03	02	(VAR.417) 2WD HEAVY DUTY FRONT AXLE - BODY
1.41.0/03	03	(VAR.417) 2WD HEAVY DUTY FRONT AXLE - HYDRAULIC STEERING CYLINDER -C4824
1.41.0/03	03A	(VAR.417) 2WD HEAVY DUTY FRONT AXLE - HYDRAULIC STEERING CYLINDER -D4824
1.41.0/03	04	(VAR.417) 2WD HEAVY DUTY FRONT AXLE - HUB
1.42.0	01	2WD STEERING CYLINDER PIPES AND POWER STEERING PIPES
1.42.0	02	4WD STEERING CYLINDER PIPES AND POWER STEERING PIPES
1.42.0	03	POWER STEERING LINE SUPPORTS - C5096
1.42.0	03A	POWER STEERING LINE SUPPORTS - D5096
1.42.0	04	POWER STEERING DELIVERY AND RETURN PIPES
1.42.0	05	POWER STEERING DELIVERY AND RETURN PIPES
1.42.0/01		(VAR.262) FIXED DELIVERY PUMP FOR 12X12 GEARBOX - POWER STEERING PIPES
1.42.0/02		(VAR.269/1) CCLS FOR TRANSMISSION 24X24 (EDC) - POWER STEERING DELIVERY AND RETURN PIPES
1.42.0/03		(VAR.350) CCLS FOR TRANSMISSION 16X16 - POWER STEERING PIPES
1.42.0/04		(VAR.831) CCLS WITH 2 MECHANICAL CONTROL VALVE - POWER STEERING DELIVERY AND RETURN PIPES
1.42.0/05		(VAR.831/1) CCLS WITH 2 MECHANICAL CONTROL VALVE - POWER STEERING DELIVERY AND RETURN PIPES
1.42.0/06		(VAR.134-587) SUPERSTEER FRONT AXLE - POWER STEERING PIPES
1.47.0		SEC. 05 - REAR AXLE

TABLE OF CONTENTS

1.48.0	01	SIDE REDUCTION UNIT (FINAL DRIVE) HOUSING AND COVERS
1.48.0	02	SIDE REDUCTION UNIT (FINAL DRIVE) HOUSING AND COVERS
1.48.0/01		(VAR.161) STRENGTHENED WHEEL AXLE WITH TOOTH ENGAGEMENT - FINAL DRIVE CASING AND COVERS
1.48.0/02		(VAR.437) 98" LONG AXLE FOR STEEL DISK - SIDE REDUCTION UNIT (FINAL DRIVE) HOUSING AND COVERS
1.48.1	01	FINAL DRIVE, GEARS AND SHAFTS
1.48.1	02	FINAL DRIVE, GEARS AND SHAFTS
1.48.1/01		(VAR.161) STRENGTHENED WHEEL AXLE WITH TOOTH ENGAGEMENT - FINAL DRIVE GEARING
1.48.1/02		(VAR.437) 98" LONG AXLE FOR STEEL DISK - SIDE REDUCER GEARINGS
1.49.6	01	(VAR.472) REAR BALLAST
1.49.6	02	(VAR. 472/1) REAR BALLAST - BAR AXLE
1.65.3	01	TRANSMISSION BRAKES
1.65.3	02	TRANSMISSION BRAKES
1.65.3/01		(VAR.161) STRENGTHENED WHEEL AXLE WITH TOOTH ENGAGEMENT - TRANSMISSION BRAKE
1.65.3/02		(VAR.437) 98" LONG AXLE FOR STEEL DISK - TRANSMISSION BRAKES
1.65.3/03		(VAR.140-147) TRANSMISSION 16X16 (50 KM/H) (SPS) - TRANSMISSION BRAKES
1.65.5		PARKING BRAKE
1.68.5		BRAKE PIPING
1.68.6	01	(VAR.178-380-380/1-385-385/1-385/2) TRAILER AIR BRAKE - COMPRESSOR AND SUPPORT - C5287
1.68.6	02	(VAR.178-380-380/1-385-385/1-385/2) TRAILER AIR BRAKE - PULLEYS AND BELT - C5287
1.68.6	03	(VAR.178-380-380/1-385-385/1-385/2) TRAILER AIR BRAKE - SHIELDS - C5287
1.68.6	04	(VAR.178-380-380/1-385-385/1-385/2) TRAILER AIR BRAKE - PIPES AND COMPRESSOR - C5287
1.68.6	05	(VAR.178-380/1-385-385/2) TRAILER AIR BRAKE - VALVE AND PIPES - C5287
1.68.6	06	(VAR.380-385/1) TRAILER AIR BRAKE ITALY - VALVE AND PIPES - C5287
1.68.6	07	(VAR.178-380/1-384-385/2) TRAILER AIR BRAKE - AIR TANK AND SHIELDS - C5287
1.68.6	08	(VAR.384/1-385) TRAILER AIR BRAKE GERMANY - AIR TANK AND PIPES - C5287
1.68.6	09	(VAR.380-385/1) TRAILER AIR BRAKE ITALY - AIR TANK AND PIPES - C5287
1.68.6	10	(VAR.178-380-380/1-385-385/1-385/2) TRAILER AIR BRAKE - VALVE AND SHIELDS - C5287
1.68.6	11	(VAR.178-380/1-385/2) TRAILER AIR BRAKE - CONTROL VALVE AND RELEVANT PARTS - C5287
1.68.6	12	(VAR.385) TRAILER AIR BRAKE GERMANY - AIR BRAKE CONTROL VALVE - C5287
1.68.6	13	(VAR.380-385/1) TRAILER AIR BRAKE ITALY - CONTROL VALVE AND RELEVANT PARTS - C5287
1.68.6	14	(VAR.178-380/1) TRAILER AIR BRAKE - QUICK-FIT CONNECTIONS AND PIPES - C5287
1.68.6	15	(VAR.384/1-385) TRAILER AIR BRAKE GERMANY - QUICK HITCH AND PIPES - C5287
1.68.6	16	(VAR.380-385/1) TRAILER AIR BRAKE ITALY - QUICK HITCH AND BRACKET - C5287

TABLE OF CONTENTS

1.68.6	17	(VAR.384-385/2) TRAILER AIR BRAKE UNIVERSAL - QUICK HITCH AND PIPES - C5287
1.68.6	18	(VAR.178-380-380/1-385-385/1-385/2) TRAILER AIR BRAKE - CABLE FOR CONTROL VALVE - C5287
1.68.6	19	(VAR.380-380/1-384-384/1) TRAILER AIR BRAKE - ELECTRIC CABLES - C5287
1.68.6	20	(VAR.178-385-385/1-385/2) TRAILER AIR BRAKE - ELECTRIC CABLES - C5287
1.68.6/01	01	(VAR.178-385/1-385/2) TRAILER AIR BRAKE - COMPRESSOR AND SUPPORT - D5287
1.68.6/01	02	(VAR.178-385/1-385/2) TRAILER AIR BRAKE - PULLEYS AND BELT - D5287
1.68.6/01	03	(VAR.178-385/1-385/2) TRAILER AIR BRAKE - SHIELDS - D5287
1.68.6/01	04	(VAR.178-385/1-385/2) TRAILER AIR BRAKE - PIPES AND COMPRESSOR - D5287
1.68.6/01	05	(VAR.178-385/1-385/2) TRAILER AIR BRAKE - VALVE AND PIPES - D5287
1.68.6/01	06	(VAR.178-385/1-385/2) TRAILER AIR BRAKE - VALVE AND PIPES - D5287
1.68.6/01	07	(VAR.178-385/1-385/2) TRAILER AIR BRAKE - AIR TANK AND SCHIELDS - D5287
1.68.6/01	08	(VAR.178-385/1-385/2) TRAILER AIR BRAKE - CONTROL VALVE AND RELEVANT PARTS - D5287
1.68.6/01	09	(VAR.178) TRAILER AIR BRAKE - QUICK-FIT CONNECTIONS AND PIPES - D5287
1.68.6/01	10	(VAR.385/2) TRAILER AIR BRAKE - QUICK-FIT CONNECTIONS AND PIPES - D5287
1.68.6/01	11	(VAR.385/1) TRAILER AIR BRAKE ITALY - BRACKET - D5287
1.68.6/01	12	(VAR.178-385/1-385/2) TRAILER AIR BRAKE - CABLE FOR CONTROL VALVE - D5287
1.68.6/01	13	(VAR.178-385/1-385/2) TRAILER AIR BRAKE - ELECTRIC CABLES - D5287
1.74.1		SEC. 06 - ELECTRICAL
1.74.2	01	BATTERY, COVERS AND RELATED SUPPORTS - C5335
1.74.2	01A	BATTERY, COVERS AND RELATED SUPPORTS - D5335 - C5506
1.74.2	01B	BATTERY, COVERS AND RELATED SUPPORTS - D5506
1.75.1		ELECTRIC SYSTEM, HORN & HORN MOUNTING
1.75.3		BATTERY, CABLES
1.75.4	01	REAR MAIN CABLE - L/CAB - C5148
1.75.4	01A	REAR MAIN CABLE - L/CAB - D5148
1.75.4	02	REAR MAIN CABLE - L/CAB - FUSEBOX & RELATED PARTS
1.75.4	03	FRONT CONDUCTOR - L/CAB - C5148
1.75.4	03A	FRONT CONDUCTOR - L/CAB - D5148
1.75.4	04	CONTROL PANEL CABLE - L/CAB
1.75.4	05	BATTERY CABLE - L/CAB
1.75.4	06	CABLE EXTENSION - L/CAB - C5148
1.75.4	06A	CABLE EXTENSION - L/CAB - D5148
1.75.4	07	AIR HEATER AND RELAY CABLES - L/CAB
1.75.4	08	SUPPORT FOR RELAY BOX, RELAY, POWER SOCKET AND SWITCHES

**Thanks very much for your reading,
Want to get more information,
Please click here, Then get the complete
manual**

JustClickHere 

NOTE:

**If there is no response to click on the link above,
please download the PDF document first, and then
click on it.**

**Have any questions please write to me:
admin@servicemanualperfect.com**